

Compact Ejectors

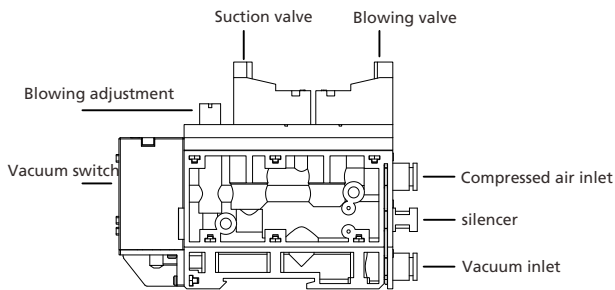
Integrated vacuum generator MS2

Suction capacity: 27 L/min to 41 L/min

Integrated vacuum generator MS2



System Design Integrated vacuum generator MS2



Introduction and application

- ◆ Handling for electronics, electronic engineering, packaging technology, robotics and transporting air-tight or micro-breathable workpieces for automotive industry

Design

- ◆ Main material is made of light weight impact-resistant material
- ◆ Optional suction valve is normally open (NO) or normally closed (NC)
- ◆ Built-in normally closed (NC) blow valve and one-way valve
- ◆ Vacuum switch with digital display

Ordering Data of integrated vacuum generator MS2

Model	Nozzle size [mm]	Required air supply pressure when the vacuum reaches the maximum [bar]	Initial state of blowing valve	Blowing valve and safety valve	System monitoring
MS2 10 HS ...	10=1.0mm	5.0	normally closed (NC) normally open (NO)	AS blow valve and safety check valve	VD digital vacuum switch RD energy-saving vacuum switch (VD, RD can choose NPN or PNP)
MS2 10 HR ...	10=1.0mm	3.5			
MS2 15 HS ...	15=1.5mm	5.0			
MS2 15 HR ...	15=1.5mm	3.5			
MS2 XI10 ...	XI10=0.8mm	5.0			
MS2 PI12 ...	PI12=0.9mm	3.5			

Model	Ordering data	Model	Ordering data
MS2 10 HS NC AS VD	90.05.01.00266	MS2 10 HS NO AS VD	90.05.01.00278
MS2 10 HR NC AS VD	90.05.01.00267	MS2 10 HR NO AS VD	90.05.01.00279
MS2 10 HS NC AS RD	90.05.01.00268	MS2 10 HS NO AS RD	90.05.01.00280
MS2 10 HR NC AS RD	90.05.01.00269	MS2 10 HR NO AS RD	90.05.01.00281
MS2 15 HS NC AS VD	90.05.01.00270	MS2 15 HS NO AS VD	90.05.01.00282
MS2 15 HR NC AS VD	90.05.01.00271	MS2 15 HR NO AS VD	90.05.01.00283
MS2 15 HS NC AS RD	90.05.01.00272	MS2 15 HS NO AS RD	90.05.01.00284
MS2 15 HR NC AS RD	90.05.01.00273	MS2 15 HR NO AS RD	90.05.01.00285
MS2 XI10 NC AS VD	90.05.01.00274	MS2 XI10 NO AS VD	90.05.01.00286
MS2 PI12 NC AS VD	90.05.01.00275	MS2 PI12 NO AS VD	90.05.01.00287
MS2 XI10 NC AS RD	90.05.01.00276	MS2 XI10 NO AS RD	90.05.01.00288
MS2 PI12 NC AS RD	90.05.01.00277	MS2 PI12 NO AS RD	90.05.01.00289
MS2 10 HS NC AS	90.05.01.00290	MS2 10 HS NO AS	90.05.01.00296
MS2 10 HR NC AS	90.05.01.00291	MS2 10 HR NO AS	90.05.01.00297
MS2 15 HS NC AS	90.05.01.00292	MS2 15 HS NO AS	90.05.01.00298
MS2 15 HR NC AS	90.05.01.00293	MS2 15 HR NO AS	90.05.01.00299
MS2 XI10 NC AS	90.05.01.00294	MS2 XI10 NO AS	90.05.01.00300
MS2 PI12 NCAS	90.05.01.00295	MS2 PI12 NOAS	90.05.01.00301

Compact Ejectors

Integrated vacuum generator MS2

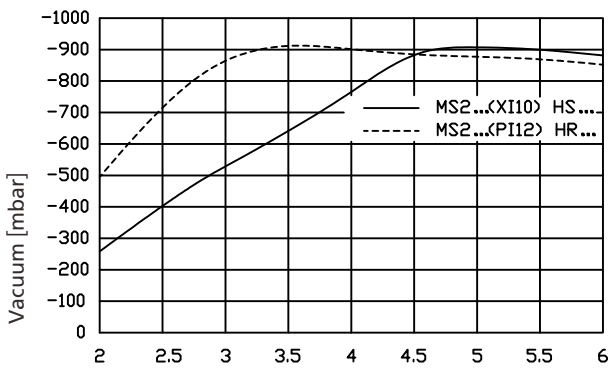
Suction capacity: 27 L/min to 41 L/min

Technical data of integrated vacuum generator MS2

Model	Nozzle size [mm]	vacuum degree [%]	Maximum suction capacity [l/min]	specific air consumption [l/min]	Operating pressure [bar]	Operating temperature [°C]	weight [g]
MS2 10 HS ...	1.0	85	27	44	5	0...45	130
MS2 10 HR ...	1.0	85	25	44	3.5	0...45	130
MS2 15 HS ...	1.5	85	63	100	5	0...45	130
MS2 15 HR ...	1.5	85	54	100	3.5	0...45	130
MS2 XI10 ...	0.8	85	45	28	5	0...45	130
MS2 PI12 ...	0.9	85	41	32	3.5	0...45	130

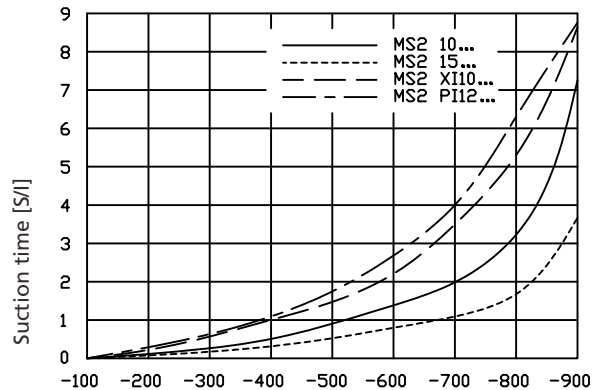
Performance curve of integrated vacuum generator MS2

Vacuum flow rate corresponding to different vacuum degrees under operating pressure of 5bar



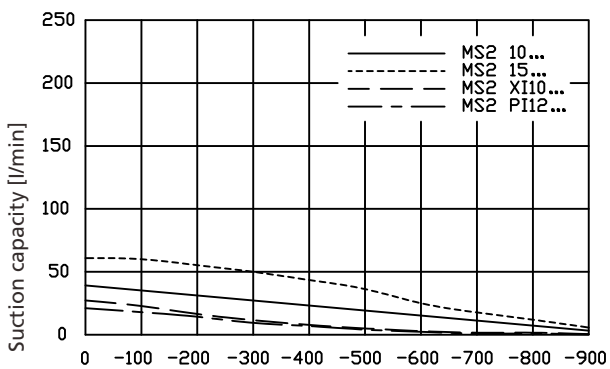
Suction capacity for various vacuum ranges

Vacuum flow rate corresponding to different vacuum degrees under operating pressure of 5bar



Vacuum [mbar]

5bar工作压力下不同真空度对应的真空流量



Vacuum [mbar]

Compact Ejectors



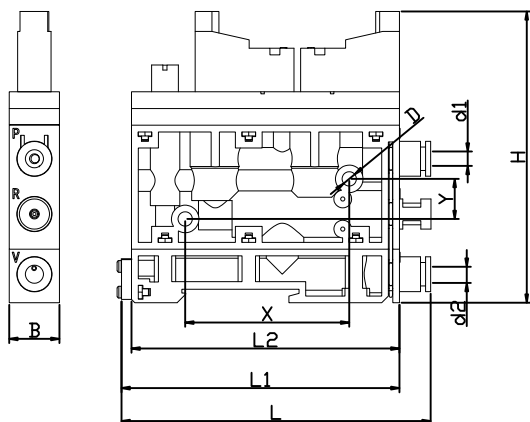
Integrated vacuum generator MS2

Suction capacity: 27 L/min to 41 L/min

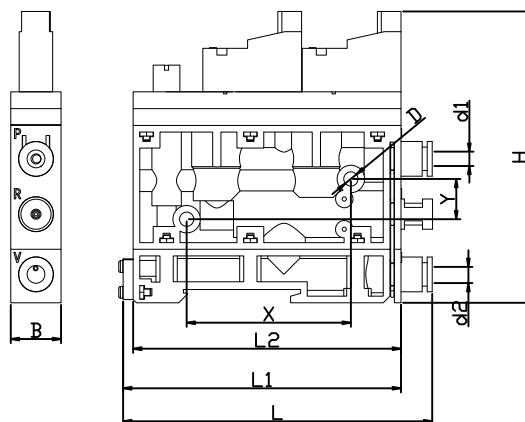


Design data of integrated vacuum generator MS2

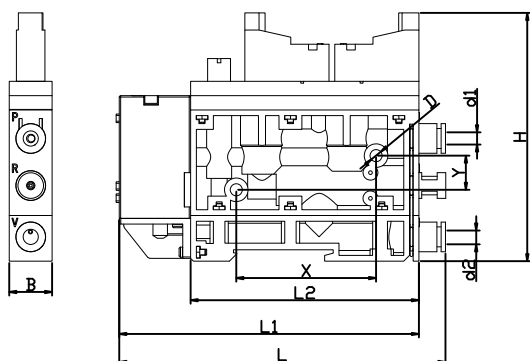
MS2...NC...



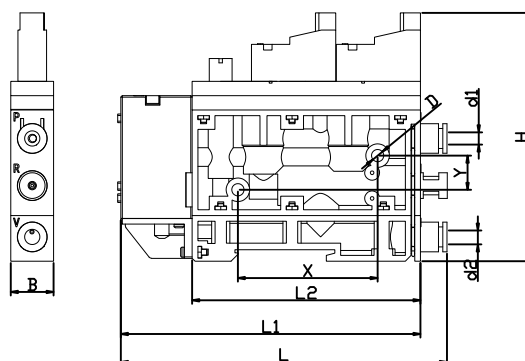
MS2...NO...



MS2...NC...VD/RD



MS2...NO...VD/RD



Model	Size [mm]										
	B	D	d1	d2	H	L	L1	L2	X	Y	
MS2...NC/NO...	15	4.3	6	6	87	92.3	83	80	49	12	
MS2...NC/NO...VD/RD	15	4.3	6	6	87	114.3	105	80	49	12	

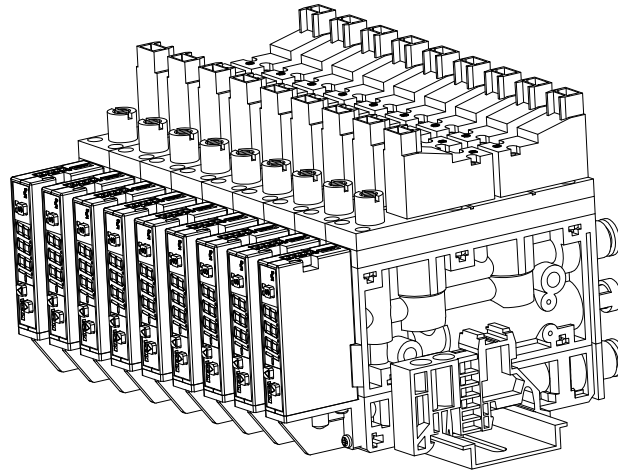
Compact Ejectors

Integrated vacuum generator MS2

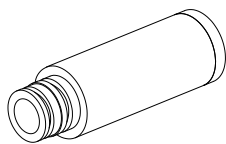
Suction capacity: 27 L/min to 41 L/min



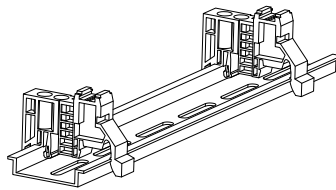
Installation schematic of Integrated vacuum generator MS2



Maintenance component selection specifications



Muffler cotton



Guide rail diagram

Name	Component model	Remarks
Muffler cotton	MS2-XYM	-
High sound muffler	MS2-GYXYQ	-
Solenoid valve terminal wire	MS2-N	Installation package of 300mm
Guide rail installation package (floors 2 and 3)	MS2-2-D	The length is 130 mm
Guide rail installation package (floors 4 and 5)	MS2-4-D	The length is 165 mm
Guide rail installation package (floors 6 and 7)	MS2-6-D	The length is 200 mm
Guide rail installation package (floors 8)	MS2-8-D	The length is 235 mm